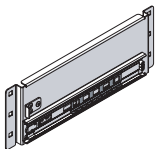


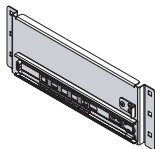
IN8270 Trade Van Racking - Drawer

SUPPLIED COMPONENTS

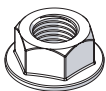
AS3505 X1
(FIXING PANEL - LEFT)



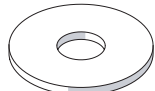
AS3506 X1
(FIXING PANEL - RIGHT)



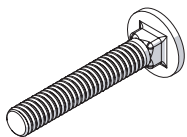
FX4011 X8
(M8 FLANGE NUT)



FX4040 X8
(M8 WASHER)

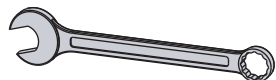


FX4138 X8
(M8X50 COACH BOLT)

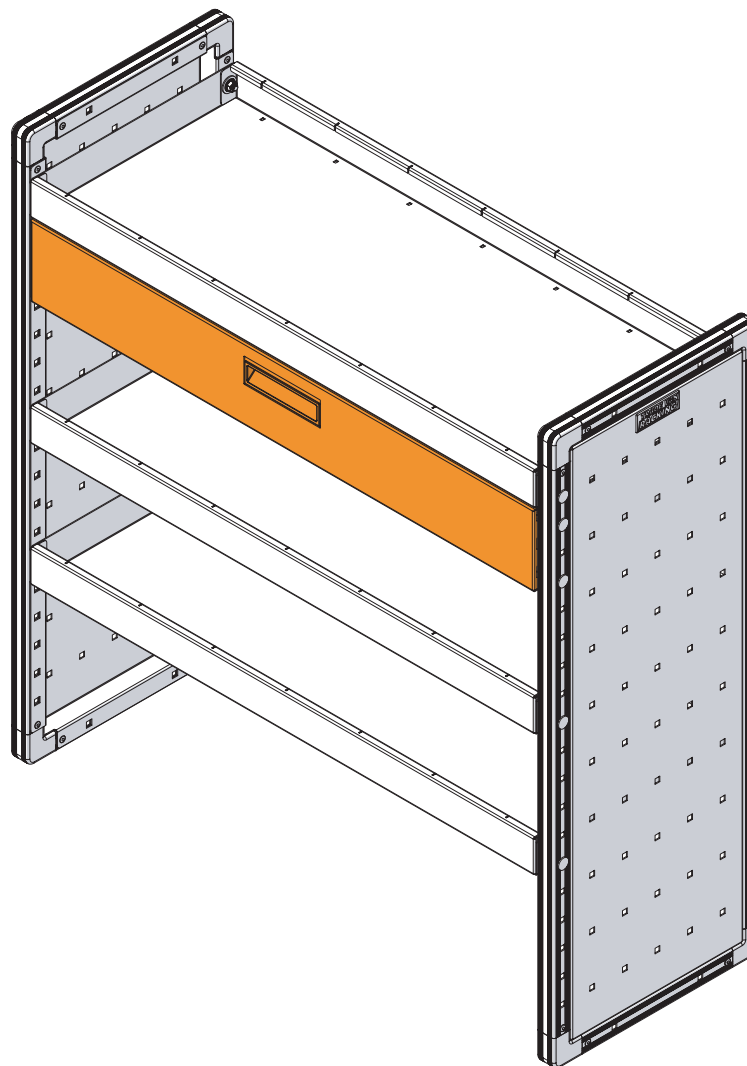


TOOLS REQUIRED

13MM X1



Customercare@van-guard.co.uk
UK +44 (0) 1392 368 351



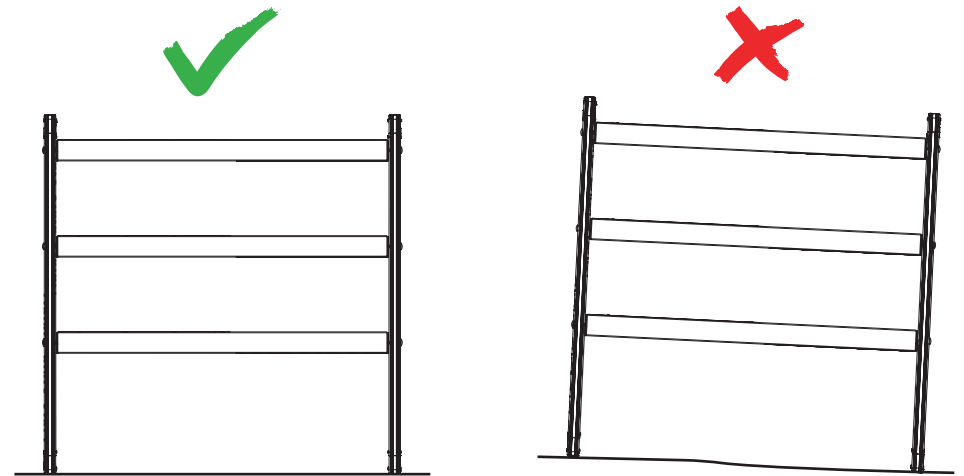
This FITTING INSTRUCTION is the property of VAN GUARD ACCESSORIES LTD. and must not be used for manufacturing purposes, copied nor communicated in any way to third parties without written permission from VAN GUARD ACCESSORIES LTD.
IN8270_B (CN:00240)

Van Guard Accessories Ltd
Fair Oak Close, Exeter Airport Business Park,
Exeter, Devon, EX5 2UL
www.van-guard.co.uk

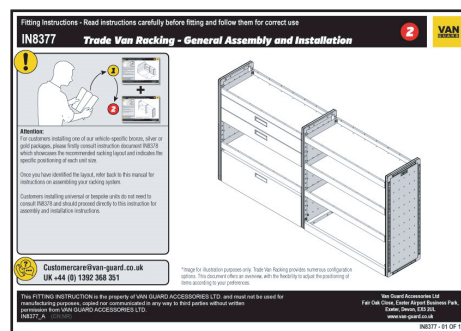
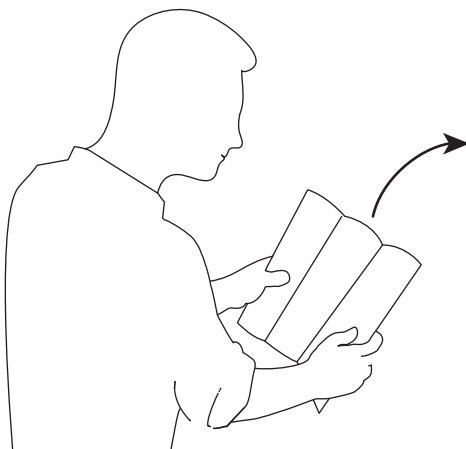
01 Maximum weight load per drawer is 20kg. Do not exceed this limit.



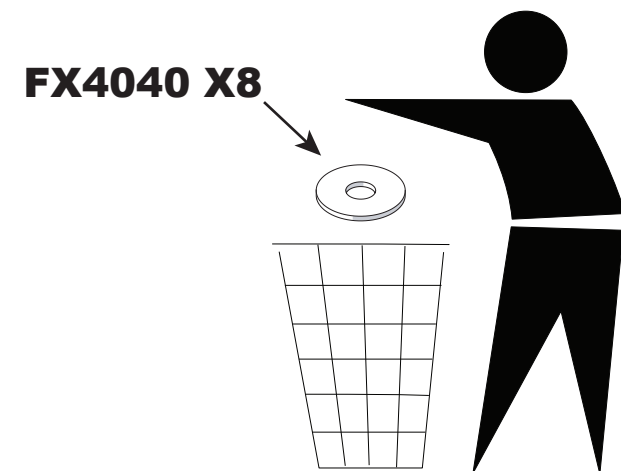
02 Ensure assembly is carried out on a flat surface.



03 Assemble the racking unit, leaving space for the drawer(s) following instruction manual IN8377.

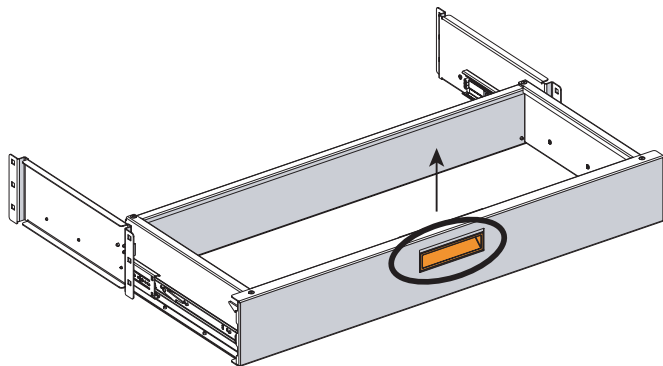
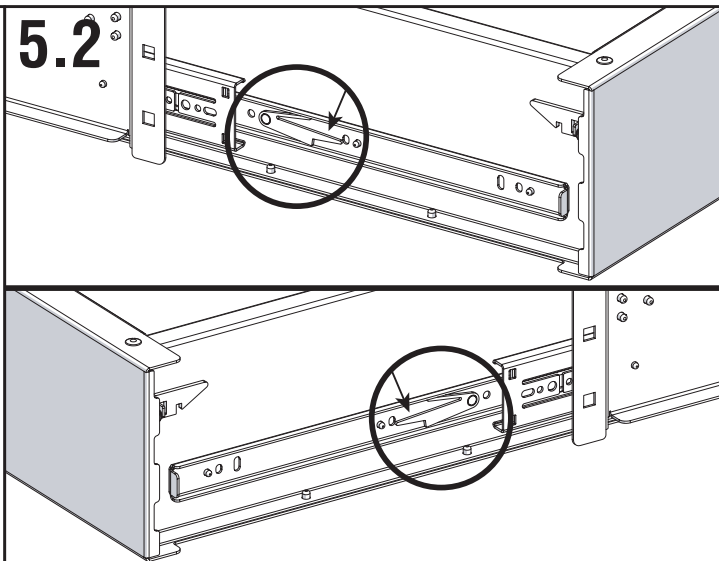
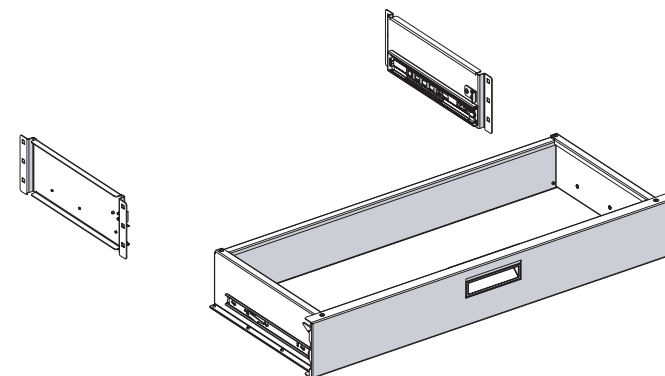


04 Discard supplied washers (FX4040) as they are not needed for this installation.

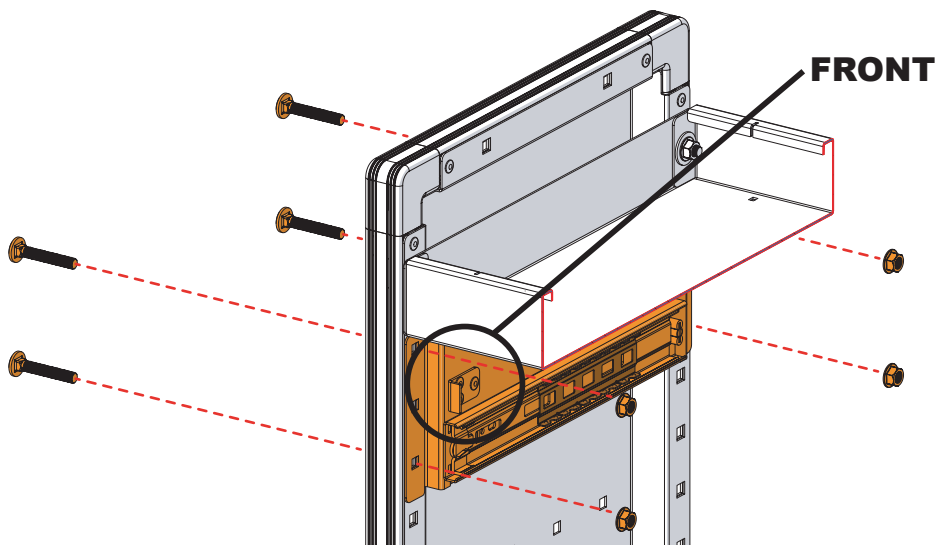


05

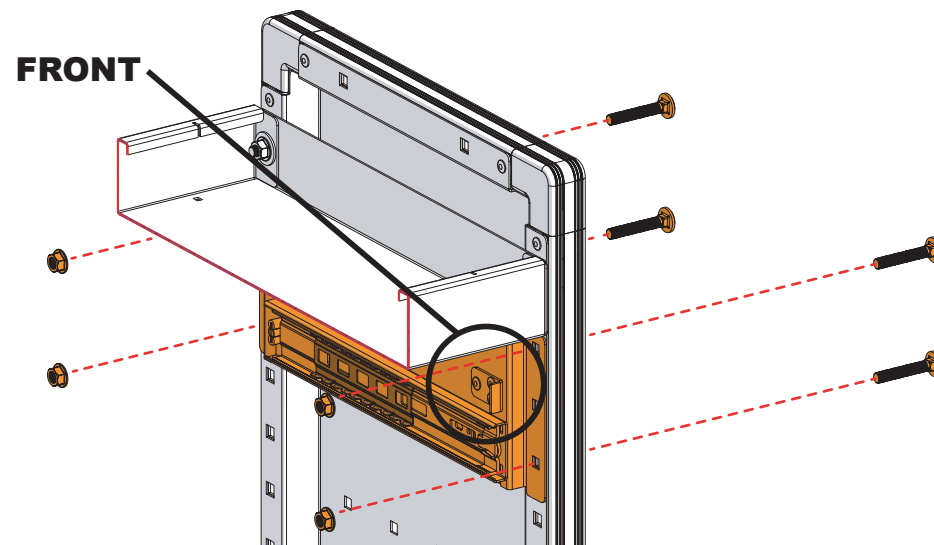
Extend the drawer by lifting the handle (5.1), then disconnect it from the side panels by pressing the plastic retaining levers on both sides (5.2). Remove the drawer from the fixing panels (5.3).

5.1**5.2****5.3****06**

Secure the left fixing panel (AS3505) to the side panel using M8x50 coach bolts and M8 flange nuts. Tighten all fixings to 5Nm. Take care not to damage the unit by over tightening.

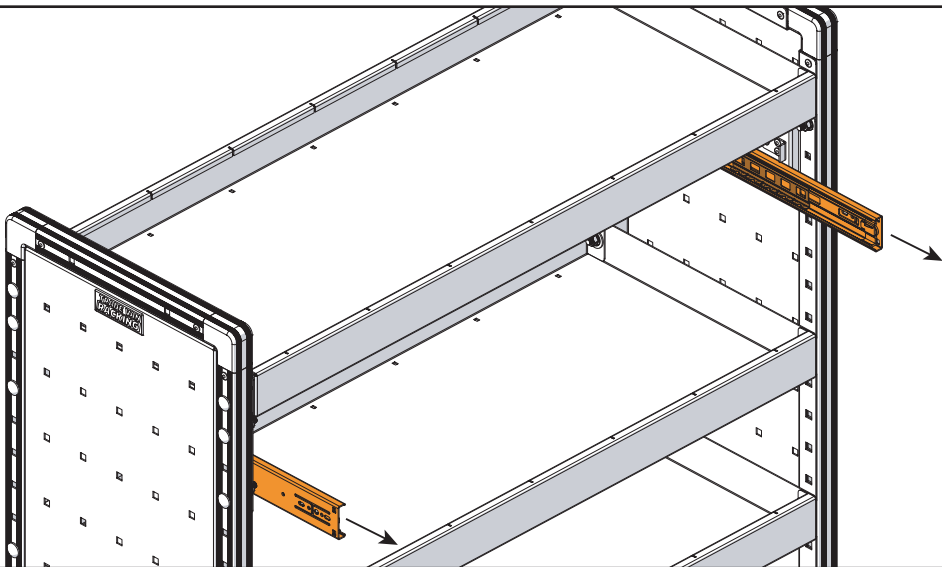
**07**

Secure the right fixing panel (AS3506) to the side panel using M8x50 coach bolts and M8 flange nuts. Tighten all fixings to 5Nm. Take care not to damage the unit by over tightening.



08

Extend the drawer slides fully.

**09**

Align the drawer with the slides and carefully push it closed; it may require some force until fully engaged with the slides.

